

Description

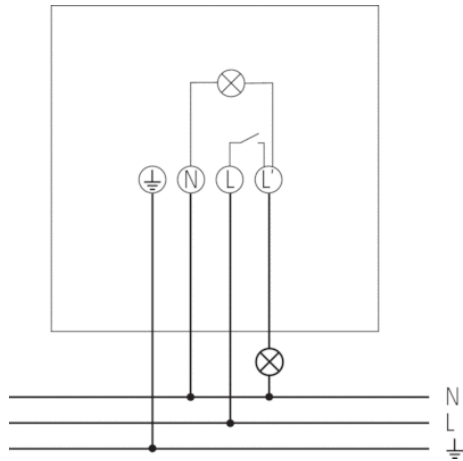


- 400 W ecoHalogen spotlight (comparable with regular 500 W spotlight)
- Motion detector (PIR)
- For outdoor use
- Integrated halogen spotlight for extensive lighting
- Energy saving ecoHalogen light bulb with energy efficient class C (R7s socket) included
- 150° detection angle
- Automatic lighting control based on presence and brightness
- Spotlight can be swivelled $\pm 45^\circ$ horizontally, and adjusted 60° upwards and 30° downwards using screw fixings
- Additional creep under protection
- Sensor head can be turned by $\pm 90^\circ$ horizontally and by 40° downwards
- Instant start-up possible via factory preset
- Single-handed plug-in installation with retained screws
- Controls are placed protected
- Additional light switch output (relay 230 V AC)
- Mixed light measurement suitable for the control of fluorescent, incandescent and halogen lamps
- Spotlight with tough aluminium die-cast housing
- Adjustable brightness switching value and switch-off delay
- Sensitivity can be reduced to limit detection area

Technical data

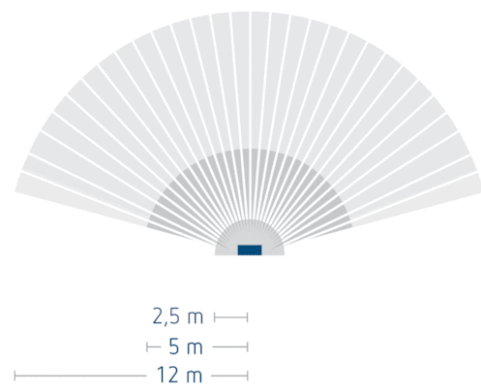
Operating voltage	230 V AC
Frequency	50 – 60 Hz
Stand-by consumption	~0,9 W
Light measurement	Mixed light measurement
Number of channels	1
Type of contact	NO contact
Colour	Black
Installation type	Wall installation
Setting range brightness	5 – 1000 lx Infinitely adjustable
Switching capacity light	8 A (at 230 V AC, $\cos \varphi = 1$), 6 A (at 230 V AC, $\cos \varphi = 0.6$), 3 AX (at 230 V AC, $\cos \varphi = 0.3$)
Detection angle	150°
Installation height	2 – 4 m
Switching output	Not potential-free (230 V)
Light switch-off delay	5 s-12 min
Incandescent/halogen lamp load	500 W
Fluorescent lamp load (electronic ballast)	400 VA
Lamps	Incandescent/halogen lamps, fluorescent lamps, Energy saving lamps, LEDs
Output	Not potential-free (230 V)
Remote controlled	–
Ambient temperature	-15 °C ... +45 °C
Protection class	I according to EN 60 669-2-1
Type of protection	IP 54
Weight	1,15 kg

Connection example

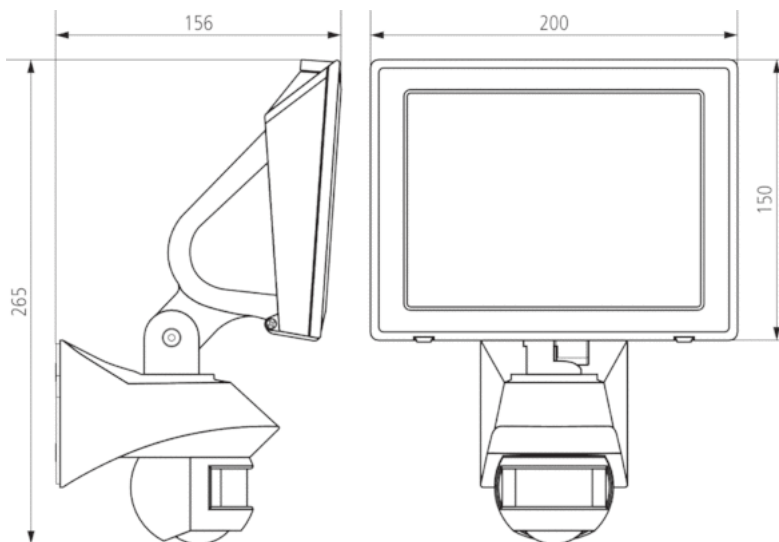


Detection range

Mounting height (A)	Head on to (r)	Diagonally (t)
2,5 m	5 m	12 m



Scale drawings



Article number: 1020964

Accessories

RC filter

- Article number: 9070523
Details ▶ www.theben.de

